

Ball type garden tap, with anti-stagnation system - 598 - 599

/ Description

Garden type, ball-type, with male threaded hose connections.
Reduced bore

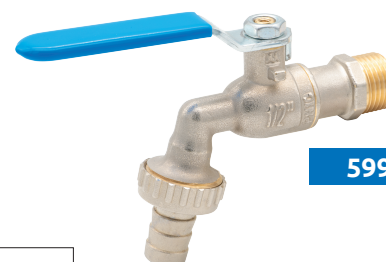
/ Function

Garden taps can be installed in gardening and irrigation plants and in civil installations, in particular with water and non-aggressive liquids.

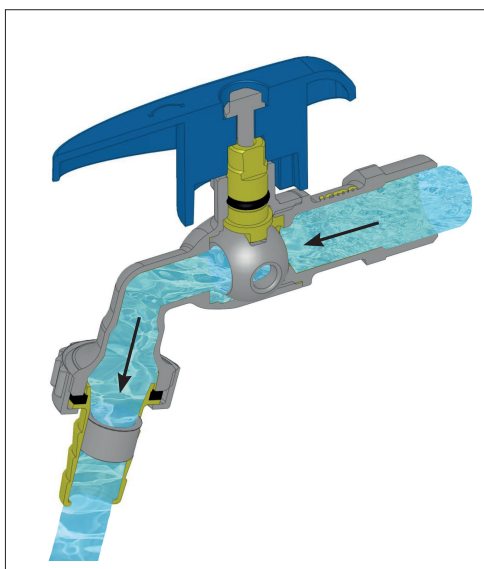
ICMA's taps are equipped with a ball and a third hole, which prevents the stagnant water inside the ball (pic. 2) thus eliminating potential ruptures caused by ice. The ice would have a bigger volume than the liquid and, therefore, it would overstress the ball and the interface components.



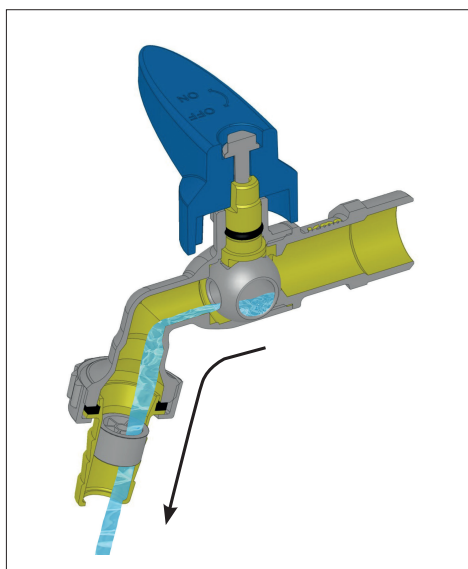
598



599



Pic.1 Open tap. Normal water flow.



Pic.2 Closed tap. Ball ceases water flow.

/ Product series

Art.	Code	Size	Lever	Color
598	89598AD12	1/2"	Aluminium	Blue
598	89598AE12	3/4"	Aluminium	Blue
598	89598AF12	1"	Aluminium	Blue
599	89599AD12	1/2"	Steel	Blue
599	89599AE12	3/4"	Steel	Blue
599	89599AF12	1"	Steel	Blue
599	89599AD18	1/2"	Steel	Red
599	89599AE18	3/4"	Steel	Red
599	89599AF18	1"	Steel	Red
599	89599AD34	1/2"	Steel	Black
599	89599AE34	3/4"	Steel	Black
599	89599AF34	1"	Steel	Black

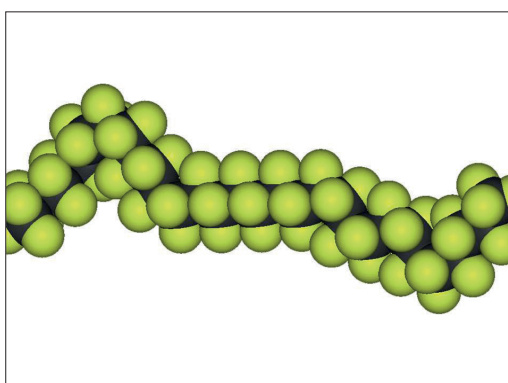
Technical characteristics

Materials	
Body and sleeve:	nickel brass
Ball:	chrome plated brass
Ball control stem:	brass
Ball sealing gaskets:	PTFE with anti-wear additive
Other seal elements:	EPDM
Control lever:	stainless steel (+PVC coating) or painted aluminium
Lever seal:	zinc-plated steel nut or screw
Sprayer:	HDPE
Loop and hose:	zamak

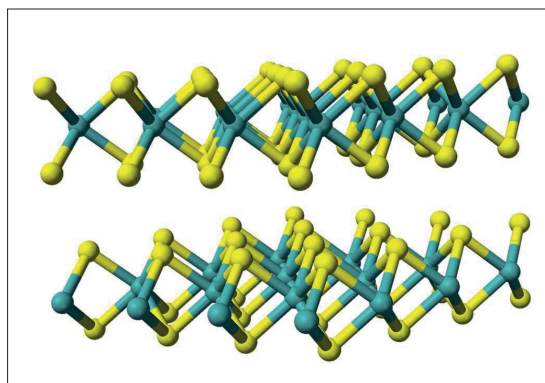
PERFORMANCES	
Working fluid:	water
Maximum working pressure:	10 bar (with water 20 °C)
Ambient temperature range:	-40 ÷ 70°C
Min. fluid working temperature:	5 °C
Max. fluid working temperature:	90 °C

Construction details

PTFE gaskets with anti-wear additive



Traditional PTFE



PTFE with ICMA additive

The material of ICMA's ball gaskets allows, thanks to the special additive:

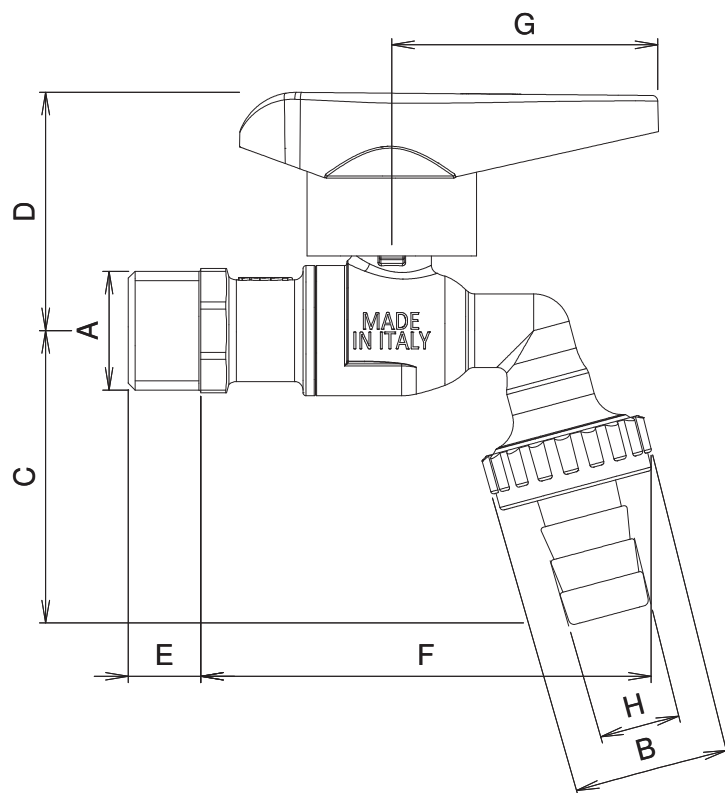
- to significantly reduce friction thanks to the reticular structure, compared to the traditional linear PTFE structure's capability;
- a specific molecule of the additive chemically reacts with the metals (in H₂O), thus avoiding Adhesive wear from contact.

A third party lab carried out a test on ICMA's tap. The test simulated working conditions while satisfying the EN protocols.

Ball type garden tap, with anti-stagnation system - 598 - 599

Dimensions

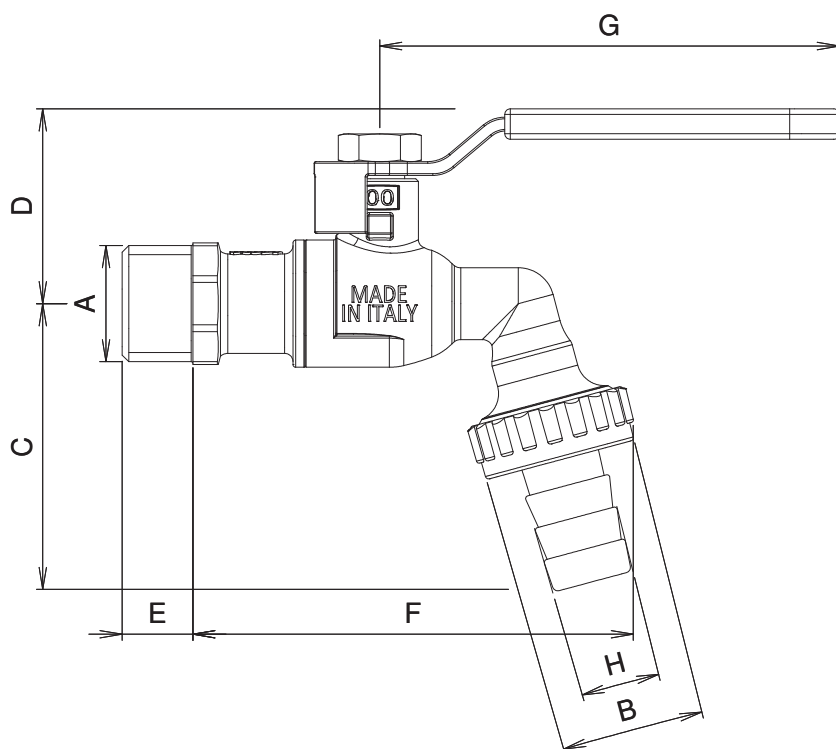
Art. 598



Code	A	B	C	D	E	F	G	H	Mass (kg)
89598AD12	1/2"	3/4"	52	42	12,8	80	47	15	0,19
89598AE12	3/4"	1"	64	51	14	106	47	20	0,36
89598AF12	1"	1"1/4	78	53	14	123	47	26	0,50

Ball type garden tap, with anti-stagnation system - 598 - 599

Art. 599



Code	A	B	C	D	E	F	G	H	Mass (kg)
89599ADXX	1/2"	3/4"	52	42	12,8	80	83	15	0,19
89599AEXX	3/4"	1"	64	43	14	106	83	20	0,36
89599AFXX	1"	1"1/4	78	53	14	123	83	26	0,50

/ Spare parts

- **RA9598AD31:** LOOP+HOSE for tap 89598AD12, 89599ADXX
- **RA9598AE31:** LOOP+HOSE for tap 89598AE12, 89599AEXX
- **RA9598AF31:** LOOP+HOSE for tap 89598AF12, 89599AFXX
- **R37598AD12:** Aluminium lever + M4 Screw for tap 89598AD12, 89598AE12, 89598AF12.
- **R37599AD12:** Blue steel lever + nut for tap 89599AD12, 89599AE12, 89599AF12
- **R37599AD18:** Red steel lever + nut for taps 89599AD18, 89599AE18, 89599AF18
- **R37599AD34:** Black steel lever + nut for taps 89599AD34, 89599AE34, 89599AF34

/ Specification summary

Code 89598AD12

Ball type garden tap, reduced bore, with anti-stagnation system. Connection 1/2" M x 3/4" M with hose connection for Ø 15 mm. pipe.

Brass body. Nickel plated. Brass ball and control stem. EPDM-PTFE+additive seal elements. Steel control lever. Medium water. Working temperature range from 5°C to 90° C. Maximum working pressure 10 bar.

Code 89598AE12

Ball type garden tap, reduced bore, with anti-stagnation system. Connection 3/4" M x 1" M with hose connection for Ø 20 mm. pipe.

Brass body. Nickel plated. Brass ball and control stem. EPDM-PTFE+additive seal elements. Steel control lever. Medium water. Working temperature range from 5°C to 90° C. Maximum working pressure 10 bar.

Code 89598AF12

Ball type garden tap, reduced bore, with anti-stagnation system. Connection 1" M x 1"1/4 M with hose connection for Ø 26 mm. pipe.

Brass body. Nickel plated. Brass ball and control stem. EPDM-PTFE+additive seal elements. Steel control lever. Medium water. Working temperature range from 5°C to 90° C. Maximum working pressure 10 bar.

Code 89599ADXX

Ball type garden tap, reduced bore, with anti-stagnation system. Connection 1/2" M x 3/4" M with hose connection for Ø 15 mm. pipe.

Brass body. Nickel plated. Brass ball and control stem. EPDM-PTFE+additive seal elements. Steel control lever. Medium water. Working temperature range from 5°C to 90° C. Maximum working pressure 10 bar.

Code 89599AEXX

Ball type garden tap, reduced bore, with anti-stagnation system. Connection 3/4" M x 1" M with hose connection for Ø 20 mm. pipe.

Brass body. Nickel plated. Brass ball and control stem. EPDM-PTFE+additive seal elements. Steel control lever. Medium water. Working temperature range from 5°C to 90° C. Maximum working pressure 10 bar.

Code 89599AFXX

Ball type garden tap, reduced bore, with anti-stagnation system. Connection 1" M x 1"1/4 M with hose connection for Ø 26 mm. pipe.

Brass body. Nickel plated. Brass ball and control stem. EPDM-PTFE+additive seal elements. Steel control lever. Medium water. Working temperature range from 5°C to 90° C. Maximum working pressure 10 bar.

We reserve the right to improve and change the described products and their relevant technical data at any time and without prior notice. The information contained in this technical publication do not exempt the user from following thoroughly the technical code of practice. preavviso. Le informazioni contenute in questa comunicazione tecnica non esentano l'utilizzatore dal seguire scrupolosamente le normative e le norme di buona tecnica esistenti.