

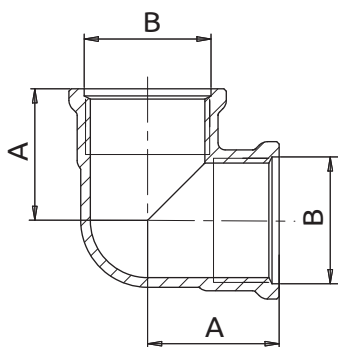
/ Use

Fittings designed and manufactured for water distribution in heating/air conditioning systems.

/ Materials

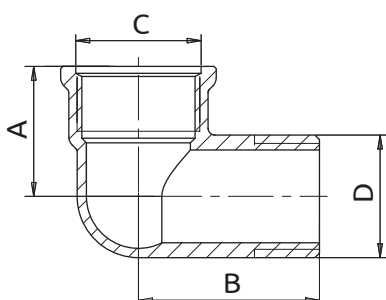
Moulded fittings: Brass CW617N
Turned fittings: Brass CW617N
Gaskets (where present): EDPM Peroxide

/ Art. 1200 - Female elbow F-F



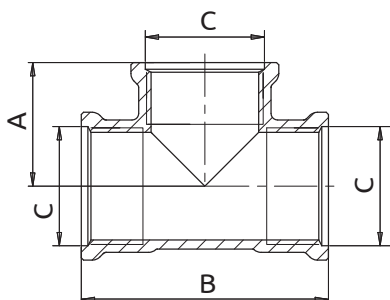
Brass finish code	Nickel plated code	Chrome finish code	A	B
811200AD05	811200AD06	811200AD07	25	1/2" F
811200AE05	811200AE06	811200AE07	28	3/4" F
811200AF05	811200AF06	811200AF07	34,5	1" F
811200AG05	811200AG06	-	42	1" 1/4 F
811200AH05	811200AH06	-	45	1" 1/2 F
811200AJ05	811200AJ06	-	51	2" F

/ Art. 1201 - Elbow fitting M-F



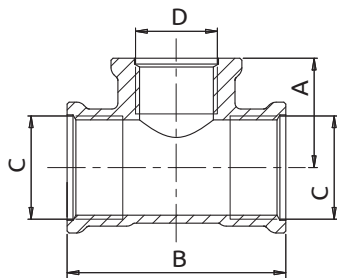
Brass finish code	Nickel plated code	Chrome finish code	A	B	C	D
811201AD05	811201AD06	811201AD07	25	36	1/2" F	1/2" M
811201AE05	811201AE06	811201AE07	28	39	3/4" F	3/4" M
811201AF05	811201AF06	811201AF07	34,5	47	1" F	1" M
811201AG05	811201AG06	-	42	50	1" 1/4 F	1" 1/4 M
811201AH05	811201AH06	-	45	58	1" 1/2 F	1" 1/2 M
811201AJ05	811201AJ06	-	51	65	2" F	2" M

/ Art. 1202 - Female TEE fitting



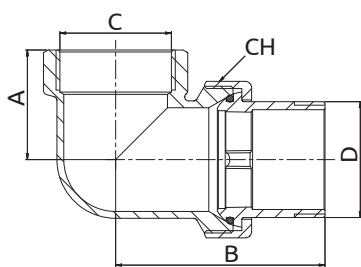
Brass finish code	Nickel plated code	Chrome finish code	A	B	C
811202AD05	811202AD06	811202AD07	25	36	1/2" F
811202AE05	811202AE06	811202AE07	28	39	3/4" F
811202AF05	811202AF06	811202AF07	34,5	47	1" F
811202AG05	811202AG06	-	42	50	1" 1/4 F
811202AH05	811202AH06	-	45	58	1" 1/2 F
811202AJ05	811202AJ06	-	51	65	2" F

Art. 1203 - Female reducing TEE fitting



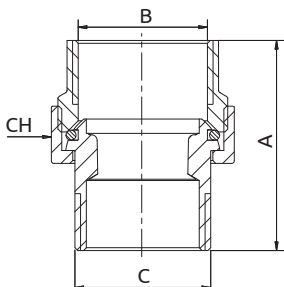
Brass finish code	Nickel plated code	A	B	C	D
811203ADACAD05	811203ADACAD06	25	50	1/2" F	3/8"
811203AEADAE05	811203AEADAE06	28	56	3/4" F	1/2"
811203AFAEAF05	811203AFAEAF06	34,5	69	1" F	3/4"

Art. 808 - 3-piece elbow fitting with O-ring



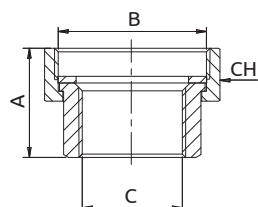
Brass finish code	Nickel plated code	A	B	C	D	CH
85808AC05	85808AC06	23	50	3/8" F	3/8" M	27
85808AD05	85808AD06	25	54	1/2" F	1/2" M	30
85808AE05	85808AE06	28	58	3/4" F	3/4" M	37
85808AF05	85808AF06	34,5	62	1" F	1" M	46
85808AG05	85808AG06	42	66	1" 1/4 F	1" 1/4 M	53
85808AH05	85808AH06	45	70	1" 1/2 F	1" 1/2 M	53
85808AJ05	85808AJ06	51	74	2" F	2" M	80

Art. 818 - 3-piece straight fitting with O-ring



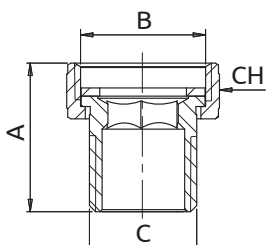
Brass finish code	Nickel plated code	A	B	C	CH
85818AC05	85818AC06	32	3/8" F	3/8" M	27
85818AD05	85818AD06	36	1/2" F	1/2" M	30
85818AE05	85818AE06	40	3/4" F	3/4" M	37
85818AF05	85818AF06	44	1" F	1" M	46
85818AG05	85818AG06	48	1" 1/4 F	1" 1/4 M	53
85818AH05	85818AH06	52	1" 1/2 F	1" 1/2 M	53
85818AJ05	85818AJ06	56	2" F	2" M	80

Art. 789 - Flat seat union F-F



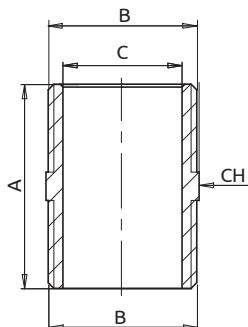
Code	A	B	C	CH
82789AD05	27	1" F	1/2" F	30
82789AE05	30	1" 1/2 F	3/4" F	37
82789AF05	33	1" 1/2 F	1" F	46

Art. 792 - Flat seat union M-F



Code	A	B	C	CH
82792AD05	36	3/4" F	1/2" M	30
82792AE05	40	1" F	3/4" M	37
82792AF05	44	1" 1/4 F	1" M	46
82792AG05	48	1" 1/2 F	1" 1/4 M	53

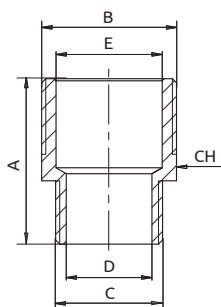
/ Art. 1210 - Thread nipple



Brass finish code	Nickel plated code	Chrome finish code	A	B	C	CH
811210AC05	811210AC06	811210AC07	24	3/8" M	12	17
811210AD05	811210AD06	811210AD07	26	1/2" M	15	21
811210AD05L*	811210AD06L*	811210AD07L*	33	1/2" M	15	21
811210AE05	811210AE06	811210AE07	36	3/4" M	21	27
811210AF05	811210AF06	811210AF07	43,5	1" M	26	33
811210AG05	811210AG06	-	43,5	1" 1/4 M	34	42
811210AH05	811210AH06	-	44,5	1" 1/2 M	39	48
811210AJ05	811210AJ06	-	45	2" M	51	60

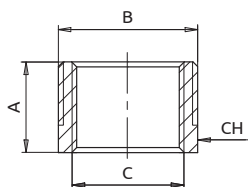
*Extended version

/ Art. 1211 - Reducing threaded nipple



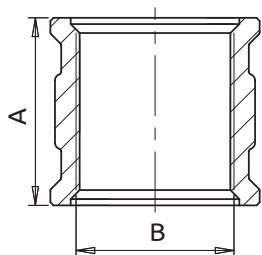
Brass finish code	Nickel plated code	Chrome finish code	A	B	C	D	E	CH
811211ACAD05	811211ACAD06	811211ACAD07	25,5	1/2" M	3/8" M	12	15	21
811211ADAE05	811211ADAE06	811211ADAE07	31	3/4" M	1/2" M	15	21	27
811211ADAF05	811211ADAF06	811211ADAF07	35,5	1" M	1/2" M	15	26	33
811211AEAF05	811211AEAF06	811211AEAF07	40,5	1" M	3/4" M	21	26	33
811211AEAG05	811211AEAG06	-	41	1" 1/4 M	3/4" M	21	34	42
811211AFAG05	811211AFAG06	-	44	1" 1/4 M	1" M	26	34	42
811211AFAH05	811211AFAH06	-	44,5	1" 1/2 M	1" M	26	39	48
811211AGAH05	811211AGAH06	-	44,5	1" 1/2 M	1" 1/4 M	34	39	48
811211AHAJ05	811211AHAJ06	-	45	2" M	1" 1/2 M	39	51	60

/ Art. 1212 - Reducing threaded nipple M-F



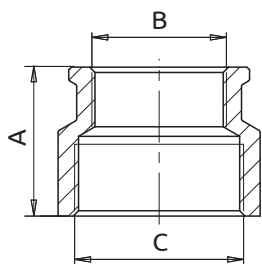
Brass finish code	Nickel plated code	Chrome finish code	A	B	C	CH
811212ACAD05	811212ACAD06	811212ADAC07	17	1/2" M	3/8" F	21
811212ACAE05	811212ACAE06	811212AEAC07	17	3/4" M	3/8" F	27
811212ACAF05	811212ACAF06	811212AFAC07	17	1" M	3/8" F	33
811212ADAE05	811212ADAE06	811212AEAD07	23,5	3/4" M	1/2" F	27
811212ADAF05	811212ADAF06	811212AFAD07	23,5	1" M	1/2" F	33
811212ADAG05	811212ADAG06	-	23,5	1" 1/4 M	1/2" F	42
811212ADAH05	811212ADAH06	-	23,5	1" 1/2 M	1/2" F	48
811212ADAJ05	811212ADAJ06	-	23,5	2" M	1/2" F	60
811212AEAF05	811212AEAF06	811212AFAE07	23,5	1" M	3/4" F	33
811212AEAG05	811212AEAG06	-	25,5	1" 1/4 M	3/4" F	42
811212AEAH05	811212AEAH06	-	23,5	1" 1/2 M	3/4" F	48
811212AEAJ05	811212AEAJ06	-	23,5	2" M	3/4" F	60
811212AFAG05	811212AFAG06	-	23,5	1" 1/4 M	1" F	42
811212AFAH05	811212AFAH06	-	23,5	1" 1/2 M	1" F	48
811212AFAJ05	811212AFAJ06	-	23,5	2" M	1" F	60
811212AGAH05	811212AGAH06	-	23,5	1" 1/2 M	1" 1/4 F	48
811212AGAJ05	811212AGAJ06	-	25,5	2" M	1" 1/4 F	60
811212AHAJ05	811212AHAJ06	-	24	2" M	1" 1/2 F	60
811212AHAK05	811212AHAK06	-	25	2" 1/2 M	1" 1/2 F	77
811212AJAK05	811212AJAK06	-	26	2" 1/2 M	2" F	77

/ Art. 1213 - Female sleeve



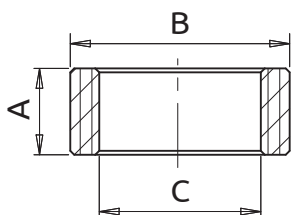
Brass finish code	Nickel plated code	Chrome finish code	A	B
811213AC05	811213AC06	811213AC07	25	3/8" F
811213AD05	811213AD06	811213AD07	27	1/2" F
811213AE05	811213AE06	811213AE07	30	3/4" F
811213AF05	811213AF06	811213AF07	32	1" F
811213AG05	811213AG06	-	38	1" 1/4 F
811213AH05	811213AH06	-	40	1" 1/2 F
811213AJ05	811213AJ06	-	44	2" F

/ Art. 1214 - Sleeve F-F



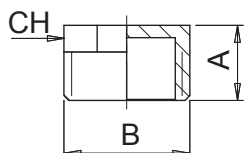
Brass finish code	Nickel plated code	Chrome finish code	A	B	C
811214ACAD05	811214ACAD06	811214ACAD07	22,5	3/8" F	1/2" F
811214ADAE05	811214ADAE06	811214ADAE07	25	1/2" F	3/4" F
811214ADAF05	811214ADAF06	811214ADAF07	29,5	1/2" F	1" F
811214AEAF05	811214AEAF06	811214AEAF07	28	3/4" F	1" F
811214AEAG05	811214AEAG06	-	30	3/4" F	1" 1/4 F
811214AFAG05	811214AFAG06	-	31	1" F	1" 1/4 F
811214AFAH05	811214AFAH06	-	33	1" F	1" 1/2 F
811214AFAJ05	811214AFAJ06	-	35	1" F	2" F
811214AGAH05	811214AGAH06	-	30,5	1" 1/4 F	1" 1/2 F
811214AGAJ05	811214AGAJ06	-	33,5	1" 1/4 F	2" F
811214AHAJ05	811214AHAJ06	-	32	1" 1/2 F	2" F

/ Art. 1215 - Reducing ring nut M-F



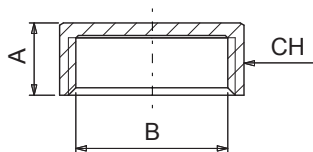
Code	A	B	C
811215ADAC05	10	1/2" M	3/8" F
811215AEAD05	10	1/2" M	1/2" F
811215AFAD05	13	1" M	3/4" F
811215AFAE05	13	1" M	1" F
811215AGAF05	13	1" 1/4 M	1" 1/4 F
811215AHAF05	15	1" 1/2 M	1" 1/2 F

/ Art. 237 - Female hexagonal end cap M-F



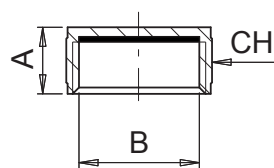
Brass finish code	Nickel plated code	A	B	CH
87237AD05	87237AD06	22	1/2"	21
87237AE05	87237AE06	22	3/4"	33
87237AF05	87237AF06	22	1"	42

/ Art. 201 - Female hexagonal end cap



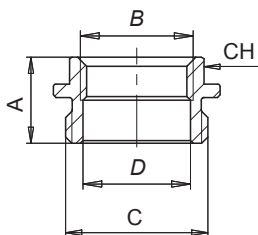
Brass finish code	Nickel plated code	A	B	CH
87201AD05	87201AD06	10,5	1/2"	21
87201AE05	87201AE06	14,5	3/4"	27
87201AF05	87201AF06	14,5	1"	33
87201AG05	87201AG06	14,5	1" 1/4	42

/ Art. 238 - Female hexagonal end cap with gasket



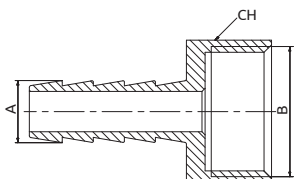
Brass finish code	Nickel plated code	A	B	CH
87238AC05	87238AC06	10,5	3/8"	17
87238AD05	87238AD06	10,5	1/2"	21
87238OO05	87238OO06	10,5	24x1,5	27
87238AE05	87238AE06	10,5	3/4"	27

/ Art. 236 - Perforated end cap with gasket



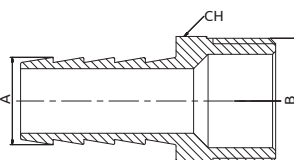
Brass finish code	Nickel plated code	A	B	C	D	CH
87236LB05	87236LB06	14,5	3/8" F	3/4" M	20	25
87236LC05	87236LC06	14,5	1/2" F	3/4" M	20	25
87236LD05	87236LD06	14,5	3/8" F	1" M	26	25
87236LE05	87236LE06	14,5	1/2" F	1" M	26	25
87236LF05	87236LF06	14,5	3/4" F	1" M	26	38

/ Art. 521 - Female hose connector



Code	A	B
81521BCAD05	10	1/2 F
81521BEAD05	14,5	1/2 F

/ Art. 522 - Male hose connector

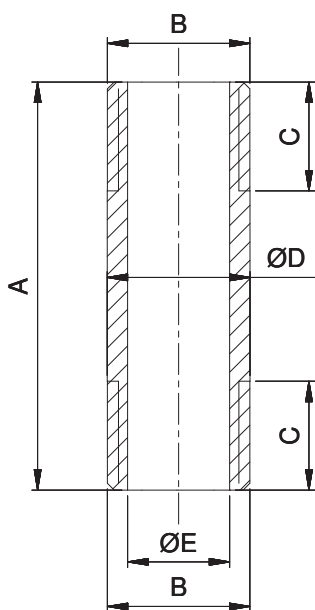


Code	A	B
81522BCAD05	10	1/2 M
81522BEAD05	14,5	1/2 M

/ Art. 21 - Barrel nipple M-M

Technical details

Min. Working temperature:	-20°C (with glycol)
Max. working temperature:	120°C
Max. upstream pressure:	16 bar (up to 1"1/4")

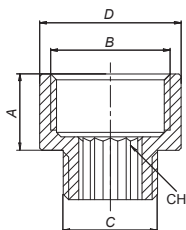


Information about the manufacturer and sizes is provided in the identification marking.



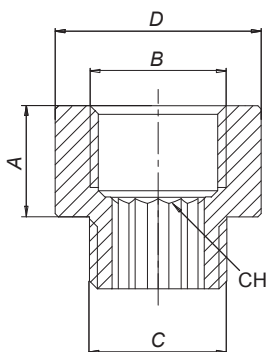
Code	A	B	C	ØD	ØE
81021AD04005	40	G1/2"	16	21	15
81021AD05005	50	G1/2"	16	21	15
81021AD06005	60	G1/2"	16	21	15
81021AD07005	70	G1/2"	16	21	15
81021AD08005	80	G1/2"	16	21	15
81021AD10005	100	G1/2"	16	21	15
81021AD12005	120	G1/2"	16	21	15
81021AD15005	150	G1/2"	16	21	15
81021AD20005	200	G1/2"	16	21	15
81021AD25005	250	G1/2"	16	21	15
81021AD30005	300	G1/2"	16	21	15
81021AD40005	400	G1/2"	16	21	15
81021AD50005	500	G1/2"	16	21	15
81021AE04005	40	G3/4"	16	26	20
81021AE05005	50	G3/4"	16	26	20
81021AE06005	60	G3/4"	16	26	20
81021AE07005	70	G3/4"	16	26	20
81021AE08005	80	G3/4"	16	26	20
81021AE10005	100	G3/4"	16	26	20
81021AE12005	120	G3/4"	16	26	20
81021AE15005	150	G3/4"	16	26	20
81021AE20005	200	G3/4"	16	26	20
81021AE25005	250	G3/4"	16	26	20
81021AE30005	300	G3/4"	16	26	20
81021AE40005	400	G3/4"	16	26	20
81021AE50005	500	G3/4"	16	26	20
81021AF04005	40	G1"	18	33	26
81021AF05005	50	G1"	18	33	26
81021AF06005	60	G1"	18	33	26
81021AF07005	70	G1"	18	33	26
81021AF08005	80	G1"	18	33	26
81021AF10005	100	G1"	18	33	26
81021AF12005	120	G1"	18	33	26
81021AF15005	150	G1"	18	33	26
81021AF20005	200	G1"	18	33	26
81021AF25005	250	G1"	18	33	26
81021AF30005	300	G1"	18	33	26
81021AF40005	400	G1"	18	33	26
81021AF50005	500	G1"	18	33	26

/ Art. 20 - Reducing extension M-F



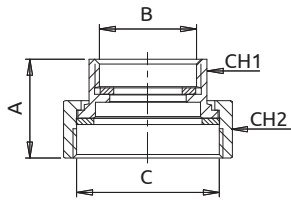
Brass finish code	Chrome finish code	A	B	C	D	CH
81020ACAD05	81020ACAD06	26	1/2" F	3/8" M	25,5	10
81020ADAE05	81020ADAE06	28	3/4" F	1/2" M	31,5	12
81020AEAF05	81020AEAF06	30	1" F	3/4" M	37,8	18

/ Art. 19 - Extension M-F



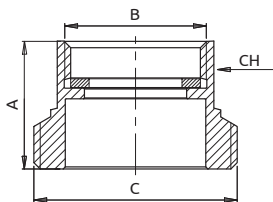
Brass finish code	Chrome finish code	A	B	C	D	CH
81019AC01005	81019AC01006	10	3/8" F	3/8" M	21,5	12
81019AC01505	81019AC01506	15	3/8" F	3/8" M	21,5	12
81019AC02005	81019AC02006	20	3/8" F	3/8" M	21,5	12
81019AC03005	81019AC03006	30	3/8" F	3/8" M	21,5	12
81019AC04005	81019AC04006	40	3/8" F	3/8" M	21,5	12
81019AC05005	81019AC05006	50	3/8" F	3/8" M	21,5	12
81019AC06005	81019AC06006	60	3/8" F	3/8" M	21,5	12
81019AC08005	81019AC08006	80	3/8" F	3/8" M	21,5	12
81019AC10005	81019AC10006	100	3/8" F	3/8" M	21,5	12
81019AD01005	81019AD01006	10	1/2" F	1/2" M	25,9	13
81019AD01505	81019AD01506	15	1/2" F	1/2" M	25,9	13
81019AD02005	81019AD02006	20	1/2" F	1/2" M	25,9	13
81019AD02505	81019AD02506	25	1/2" F	1/2" M	25,9	13
81019AD03005	81019AD03006	30	1/2" F	1/2" M	25,9	13
81019AD04005	81019AD04006	40	1/2" F	1/2" M	25,9	13
81019AD05005	81019AD05006	50	1/2" F	1/2" M	25,9	13
81019AD06005	81019AD06006	60	1/2" F	1/2" M	25,9	13
81019AD07005	81019AD07006	70	1/2" F	1/2" M	25,9	13
81019AD08005	81019AD08006	80	1/2" F	1/2" M	25,9	13
81019AD10005	81019AD10006	100	1/2" F	1/2" M	25,9	13
81019AE01005	81019AE01006	10	3/4" F	3/4" M	31,6	17
81019AE01505	81019AE01506	15	3/4" F	3/4" M	31,6	17
81019AE02005	81019AE02006	20	3/4" F	3/4" M	31,6	17
81019AE02505	81019AE02506	25	3/4" F	3/4" M	31,6	17
81019AE03005	81019AE03006	30	3/4" F	3/4" M	31,6	17
81019AE04005	81019AE04006	40	3/4" F	3/4" M	31,6	17
81019AE05005	81019AE05006	50	3/4" F	3/4" M	31,6	17
81019AE06005	81019AE06006	60	3/4" F	3/4" M	31,6	17
81019AE08005	81019AE08006	80	3/4" F	3/4" M	31,6	17
81019AE10005	81019AE10006	100	3/4" F	3/4" M	31,6	17
81019AF01005	81019AF01006	10	1" F	1" M	38	17
81019AF01505	81019AF01506	15	1" F	1" M	38	17
81019AF02005	81019AF02006	20	1" F	1" M	38	17
81019AF03005	81019AF03006	30	1" F	1" M	38	17
81019AF04005	81019AF04006	40	1" F	1" M	38	17
81019AF05005	81019AF05006	50	1" F	1" M	38	17
81019AF08005	81019AF08006	80	1" F	1" M	38	17
81019AF10005	81019AF10006	100	1" F	1" M	38	17

/ Art. 796 - Female flat seat union



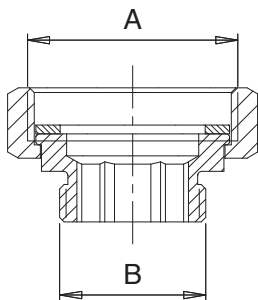
Code	A	B	C	CH1	CH2
82796AF05	31	1" F	1" 1/2	37	53

/ Art. 797 - Flat seat connector with gasket M-F



Code	A	B	C	CH
82797AF05	16,5	1" f	1" 1/2 M	37

/ Art. 798 - Flat seat union with swivel nut and gasket M-F



Code	A	B	CH
82798AF05	1"1/2 F	1" M	37