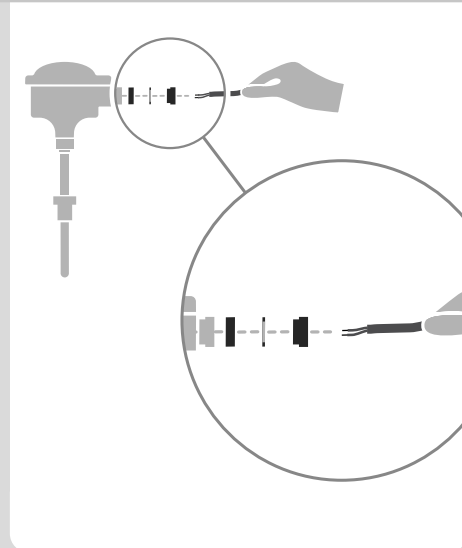
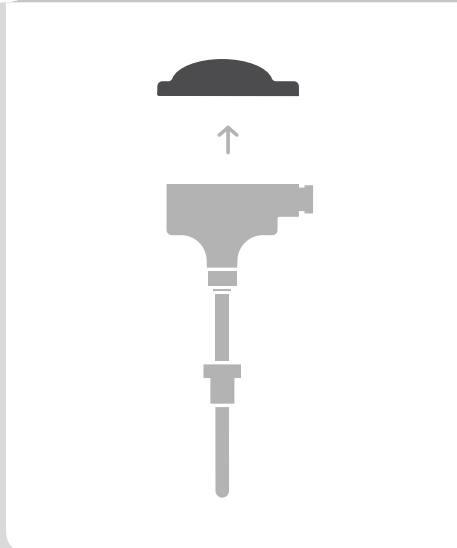
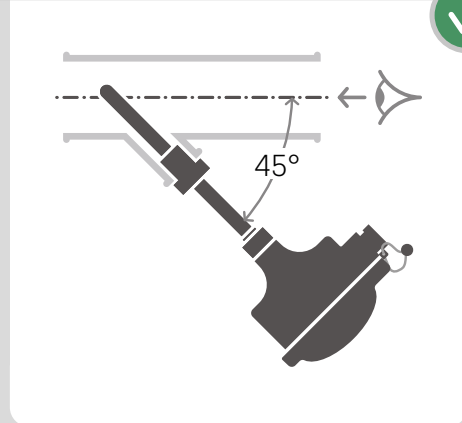
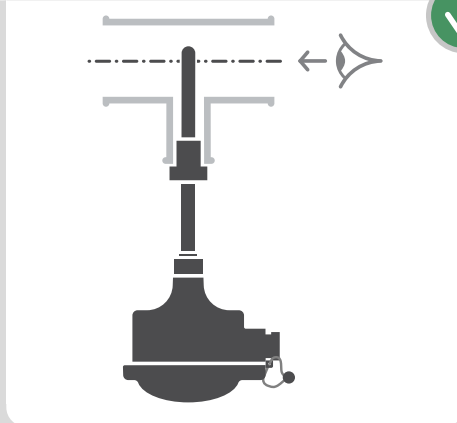


## Guida d'installazione Sonde a termoresistenza



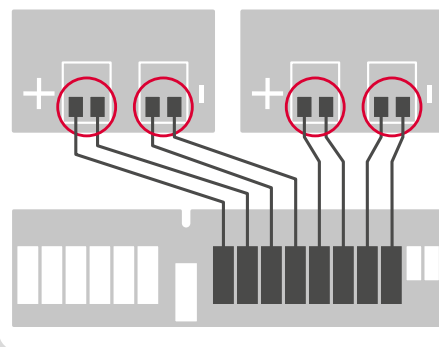
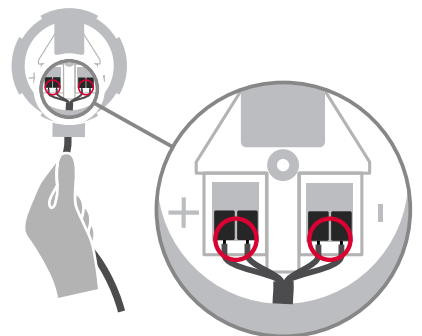
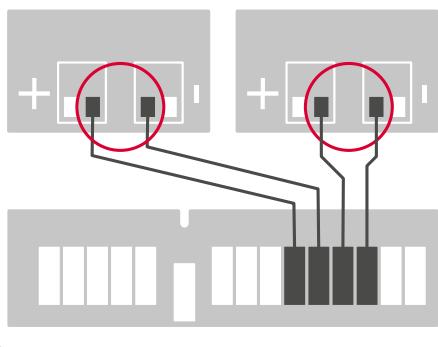
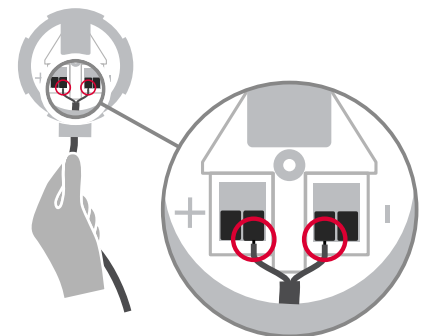
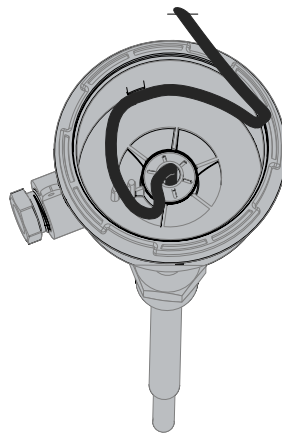


1/3





2/3

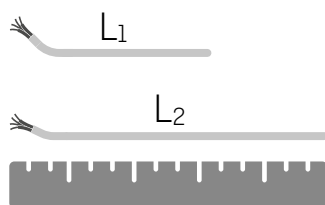
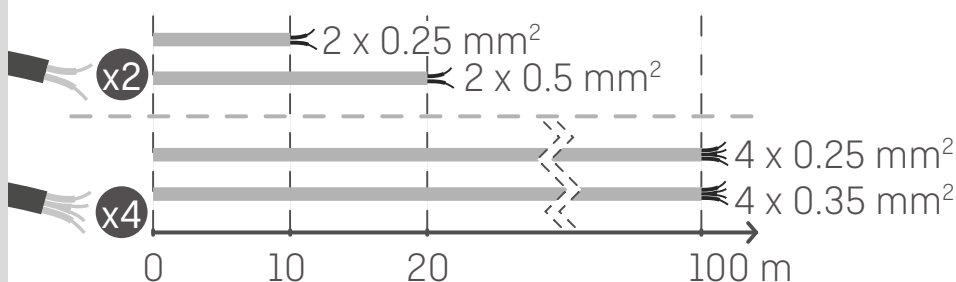






3/3



MID MULTICAL® 603/ MULTICAL® 803



|             |  x2 |  x4 |
|-------------|-----------------------------------------------------------------------------------------|------------------------------------------------------------------------------------------|
| $L_1 = L_2$ | ✓                                                                                       | ✓                                                                                        |
| $L_1 > L_2$ | ✗                                                                                       | ✓                                                                                        |
| $L_1 < L_2$ | ✗                                                                                       | ✓                                                                                        |



d = 5...6 mm

