

Lockshields with microswitch



1118-1119-1120-1121-1130-1131-1132-1133-1135

ST.1119.11.23.EN

Function

Lockshields are articles used to shut off and adjusting the flow rate of the heat transfer fluid to the radiators of air conditioning systems. Lockshields of this series are complete with nuts and unions that allow connection to the radiator in a simple and safe way.

The connections for the pipes instead are specific to the copper pipe, multilayer and Pe-X with threads from M24X1,5, G1/2" and G3/8", and for iron pipe with threads from G1/2".



Products

CHROME LOCKSHIELDS FOR COPPER PIPE, MULTILAYER AND PE-X

| Article | Code | Type | Connection | Radiator |
|---------|------------|----------|------------|----------|
| 1118 | 821118AC07 | Angled | 24x1,5 | G 3/8"M |
| 1118 | 821118AD07 | Angled | 24x1,5 | G 1/2"M |
| 1119 | 821119AC07 | Straight | 24x1,5 | G 3/8"M |
| 1119 | 821119AD07 | Straight | 24x1,5 | G 1/2"M |

CHROME LOCKSHIELDS FOR IRON PIPE

| Article | Code | Type | Connection | Radiator |
|---------|------------|----------|------------|----------|
| 1120 | 821120AD06 | Angled | G 1/2"F | G 1/2"M |
| 1121 | 821121AD06 | Straight | G 1/2"F | G 1/2"M |

WHITE LOCKSHIELDS FOR COPPER PIPE, MULTILAYER AND PE-X

| Article | Code | Type | Connection | Radiator | |
|---------|------------|---------------|------------|----------|---------|
| 1130 | 821130AC13 | 821130AC1307* | Angled | 24x1,5 | G 3/8"M |
| 1130 | 821130AD13 | 821130AD1307* | Angled | 24x1,5 | G 1/2"M |
| 1131 | 821131AC13 | 821131AC1307* | Straight | 24x1,5 | G 3/8"M |
| 1131 | 821131AD13 | 821131AD1307* | Straight | 24x1,5 | G 1/2"M |

*With chromed radiator connection and nut

WHITE LOCKSHIELDS FOR IRON PIPE

| Article | Code | Type | Connection | Radiator | |
|---------|------------|---------------|------------|----------|---------|
| 1132 | 821132AD13 | 821132AD1307* | Angled | G 1/2"F | G 1/2"M |
| 1133 | 821133AD13 | 821133AD1307* | Straight | G 1/2"F | G 1/2"M |

*With chromed radiator connection and nut

MATT BLACK LOCKSHIELDS FOR COPPER PIPE, MULTILAYER AND PE-X

| Article | Code | Type | Connection | Radiator |
|---------|------------|--------|------------|----------|
| 1135 | 821135AC09 | Angled | 24x1,5 | G 3/8"M |
| 1135 | 821135AD09 | Angled | 24x1,5 | G 1/2"M |

Technical features

Technical data

| | |
|----------------------------------|----------------------------|
| Fluids used: | Water and glycol solutions |
| Max glycol rate: | 30% |
| Max working pressure: | 10 Bar |
| Max differential pressure: | 1 Bar |
| Heat transfer fluid temperature: | 5 ÷ 120°C |

Materials

| | |
|----------------------|-----------------------------------|
| Body, nut and union: | Brass CW617N - UNI 12165 - Nickel |
| Control rod and nut: | Brass CW614N - UNI 12164 |
| Hydraulic seals: | EPDM Peroxide |
| Protection cover: | ABS white |

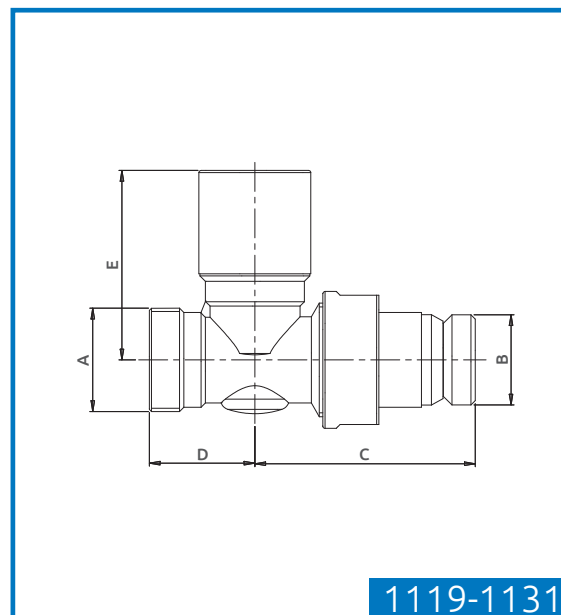
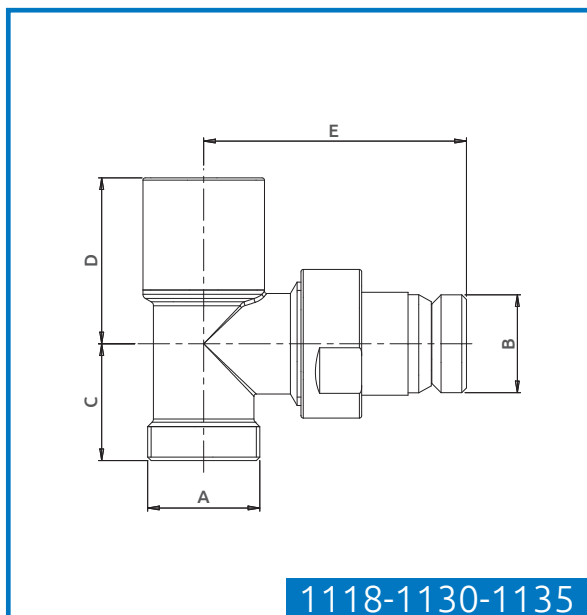
Lockshields with microswitch

1118-1119-1120-1121-1130-1131-1132-1133-1135

ST.1119.11.23.EN

Code and dimensions

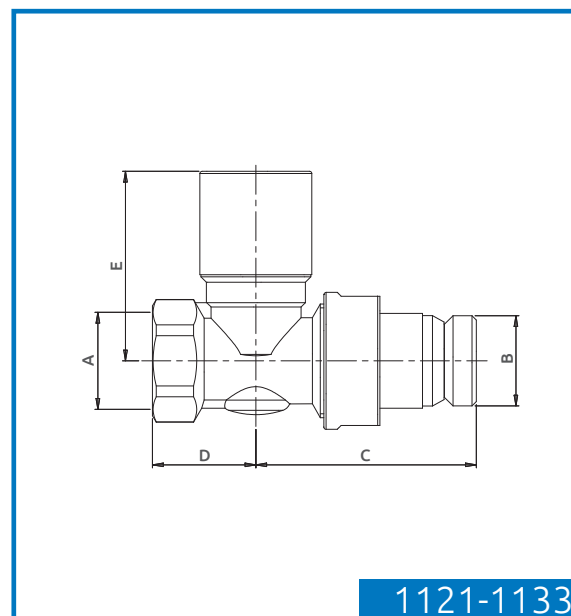
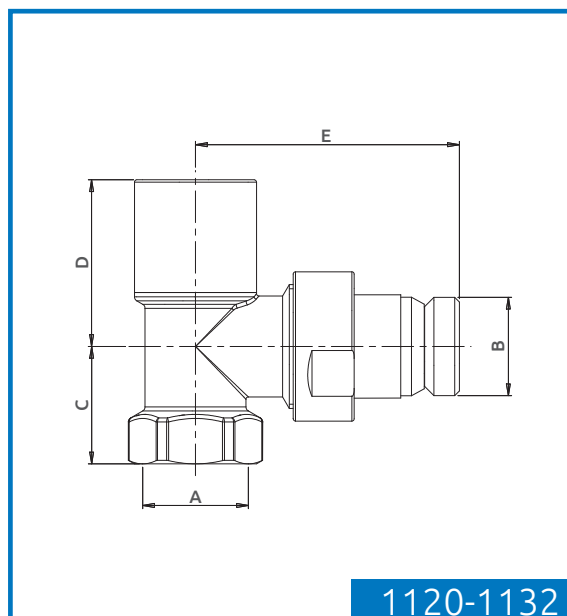
Lockshields for copper pipe, multilayer and Pe-x



| Code | A | B | C | D | E |
|------------|---------|--------|----|------|----|
| 821118AC07 | G3/8" M | 24x1,5 | 25 | 35,5 | 56 |
| 821118AD07 | G1/2" M | 24x1,5 | 25 | 35,5 | 56 |
| 821130AC13 | G3/8" M | 24x1,5 | 25 | 35,5 | 56 |
| 821130AD13 | G1/2" M | 24x1,5 | 25 | 35,5 | 56 |
| 821135AC09 | G3/8" M | 24x1,5 | 25 | 35,5 | 56 |
| 821135AD09 | G1/2" M | 24x1,5 | 25 | 35,5 | 56 |

| Code | A | B | C | D | E |
|------------|---------|--------|----|------|----|
| 821119AC07 | G3/8" M | 24x1,5 | 51 | 24,5 | 44 |
| 821119AD07 | G1/2" M | 24x1,5 | 51 | 24,5 | 44 |
| 821131AC13 | G3/8" M | 24x1,5 | 51 | 24,5 | 44 |
| 821131AD13 | G1/2" M | 24x1,5 | 51 | 24,5 | 44 |

Lockshields for iron pipe



| Code | A | B | C | D | E |
|------------|-------|-------|----|------|----|
| 821120AD06 | G1/2" | G1/2" | 25 | 35,5 | 56 |
| 821132AD13 | G1/2" | G1/2" | 25 | 35,5 | 56 |

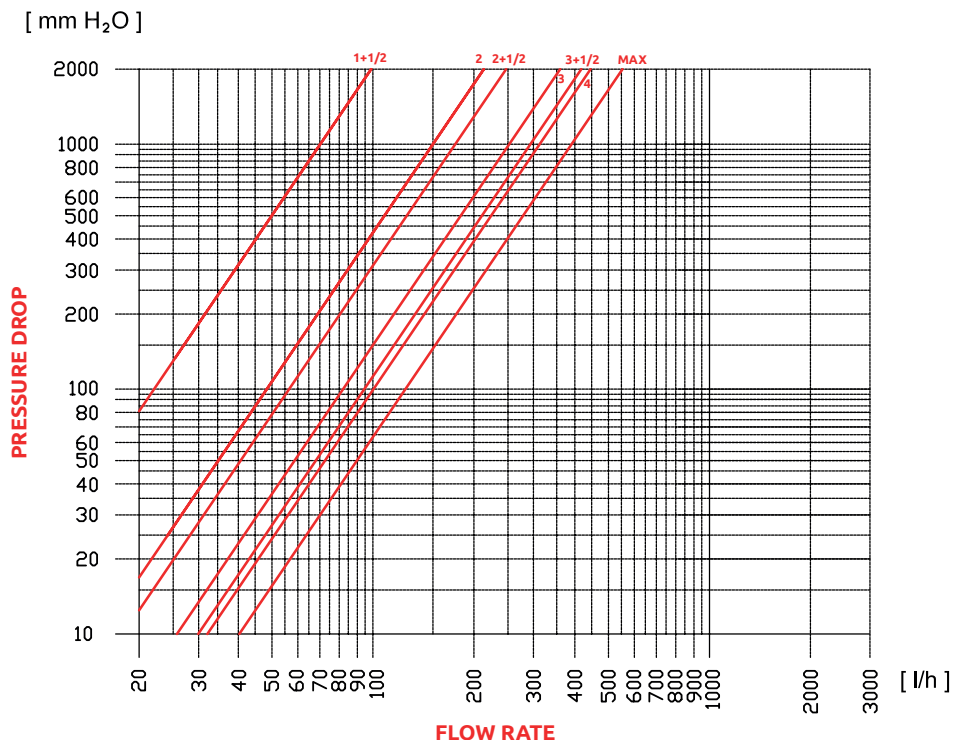
| Code | A | B | C | D | E |
|------------|-------|-------|----|----|----|
| 821121AD06 | G1/2" | G1/2" | 51 | 24 | 44 |
| 821121AD06 | G1/2" | G1/2" | 51 | 24 | 44 |

/ Hydraulic characteristics

Angled lockshields

Angled lockshield- Art. 1118-1120-1130-1131-1135 3/8" - 1/2"

PRESSURE DROP DIAGRAM

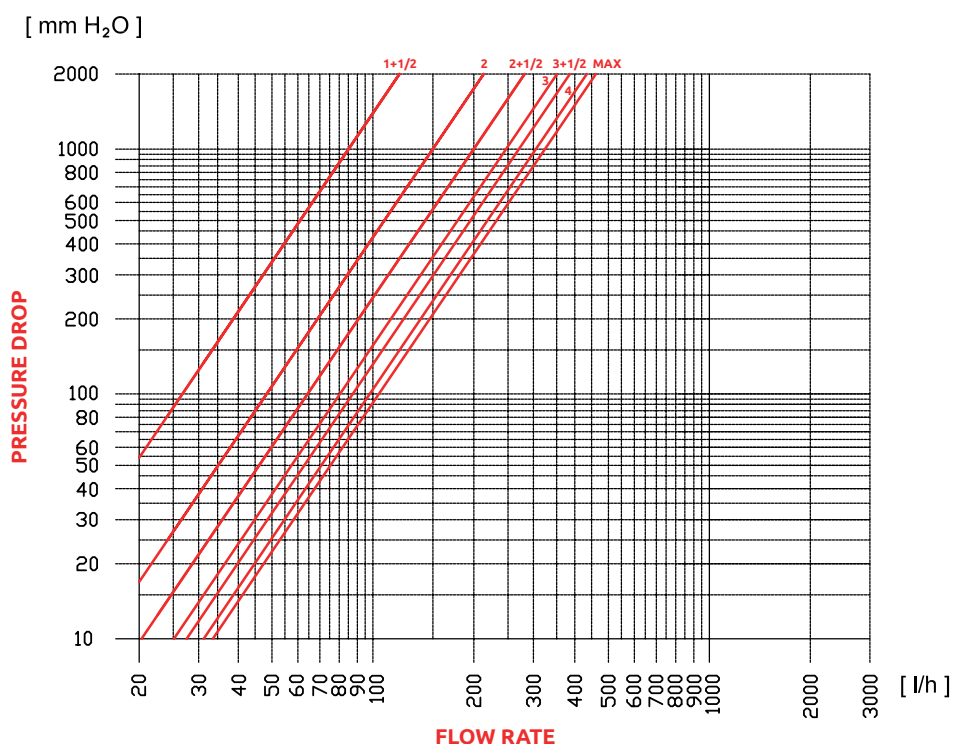


| ROUNDS NUMBER ⊙ | Kv [m³/h] |
|--------------------|--------------|
| 1+1/2 | 0,23 |
| 2 | 0,48 |
| 2+1/2 | 0,55 |
| 3 | 0,81 |
| 3+1/2 | 0,91 |
| 4 | 1,01 |
| MAX | 1,21 |

Straight lockshields

Detentore Straight - Art. 1119-1121-1131-1133 3/8" - 1/2"

PRESSURE DROP DIAGRAM



| ROUNDS NUMBER ⊙ | Kv [m³/h] |
|--------------------|--------------|
| 1+1/2 | 0,27 |
| 2 | 0,47 |
| 2+1/2 | 0,63 |
| 3 | 0,77 |
| 3+1/2 | 0,86 |
| 4 | 0,98 |
| MAX | 1,05 |