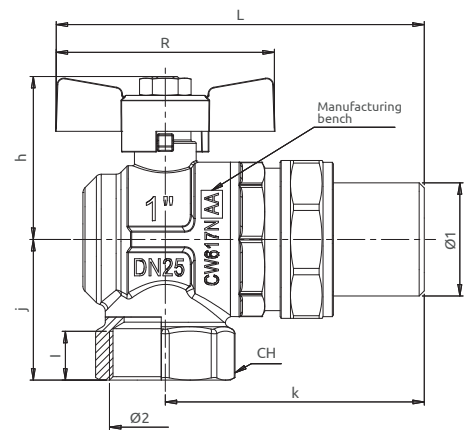
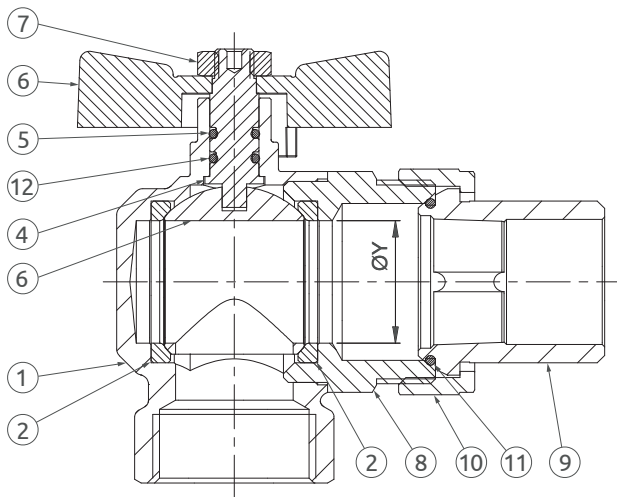
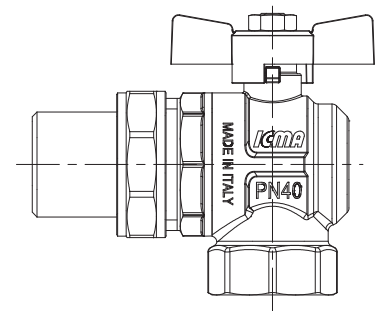


/ Function

Angle ball valve, full bore, with pipe junction, red coated alloy handle, male/female threads, double o-ring and anti-explosion command rod. Suitable for water in heating/cooling systems.



P.N.	DESCRIPTION	MATERIAL
1	SPHERE	CW617N - UNI EN 12165 - CHROME PLATED
2	SEAT GASKET	PTFE
3	BODY	CW617N - UNI EN 12165
4	SLEEVE	CW617N - UNI EN 12165
5	COMMAND ROD	CW617N - UNI EN 12165
6	HANDLE	RED COATED ALLOY
7	NUT	ZINC PLATED STEEL
8	O-RING	NBR
8b	O-RING	VITON
9	PIPE JUNCTION	CW617N - UNI EN 12165
10	CAP	CW617N - UNI EN 12165
11	O-RING	EPDM PEROX

/ Dimensions

CODE	SIZE	PN (bar)	DN	ISO 228/1		h	j	k	CH	Ø1	Ø2	ØY	I
				L	R								
87361AD11	1/2"	50	15	82	54	38,5	27	55	25	1/2"	1/2"	15	11
87361AE11	3/4"	40	20	89,5	54	43	33	62,5	31	3/4"	3/4"	20	12
87361AF11	1"	40	25	107,5	64	47,5	41	75,5	38	1"	1"	25	14

Blue coated ally handle option available for every size (sold separately):

Handle code:

01347AD12 - 1/2" e 3/4"

01347AF12 - 1"

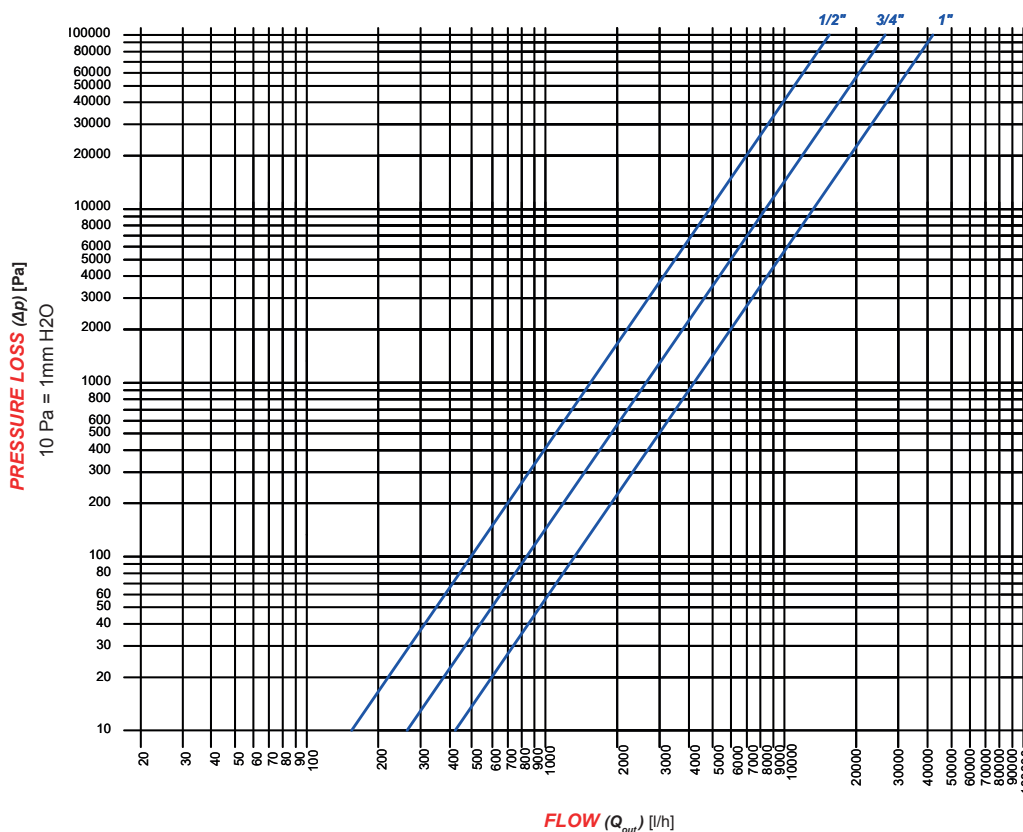
Field of use

Min. operating temperature: -20°C with 50% glycol solutions
 Max operating temperature: 150°C
 Max operating pressure at 20°C

	1/2"	3/4"	1"
bar	50	40	40
psi	725	580	580

Pressure loss at 20°C

Ball Valve - Art. 361
PRESSURE DROP DIAGRAM



Size	Kv m ³ /h
1/2"	15,6
3/4"	26,2
1"	41,4