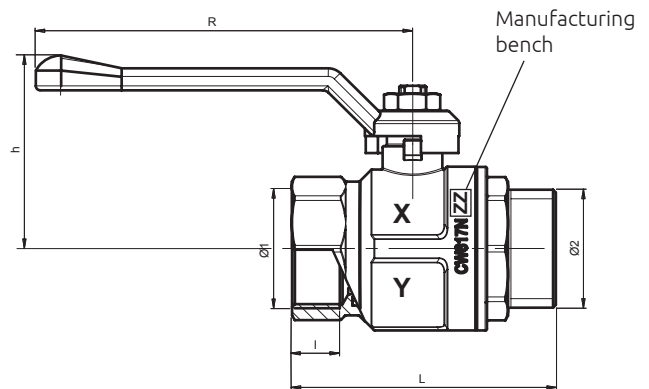
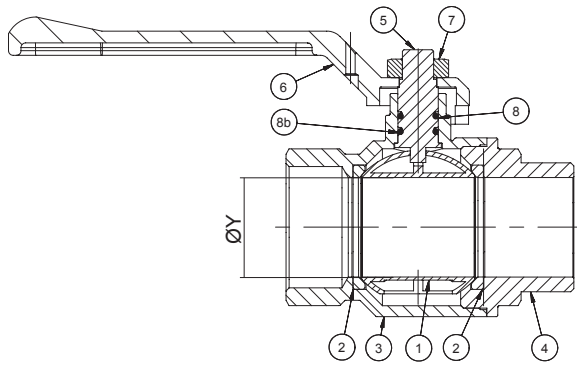
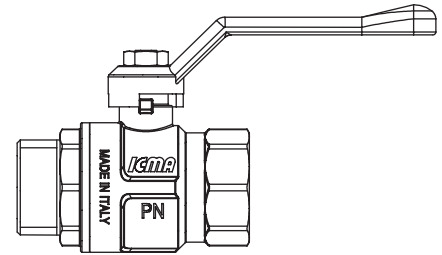


### Function

Ball valve full bore, red coated alloy handle, M/F thread, double o-ring anti-explosion command rod.  
Suitable for water in heating/cooling systems.



P.N.	DESCRIPTION	MATERIAL
1	SPHERE	CW617N - UNI EN 12165 - CHROME PLATED
2	SEAT GASKET	PTFE
3	BODY	CW617N - UNI EN 12165
4	SLEEVE	CW617N - UNI EN 12165
5	COMMAND ROD	CW617N - UNI EN 12165
6	HANDLE	RED COATED ALLOY
7	NUT	ZINC PLATED STEEL
8	O-RING	NBR
8b	O-RING	VITON

### Dimensions

CODE	X		Y	ISO 228/1		L	I	R	CH	h
	SIZE	PN (bar)		DN	Ø 1 M					
87352AC11	3/8"	50	10	3/8"	3/8"	53,5	10	88	21	44,5
87352AD11	1/2"	50	15	1/2"	1/2"	59,5	11	98	25	39
87352AE11	3/4"	40	20	3/4"	3/4"	66,5	12	98	31	43
87352AF11	1"	40	25	1"	1"	78,5	14	98	38	47,5
87352AG11	1"1/4	30	32	1"1/4	1"1/4	92,5	18	132	47	57
87352AH11	1"1/2	30	40	1"1/2	1"1/2	101	18	132	54	74
87352AJ11	2"	25	50	2"	2"	116	20	132	66	81

Blue coated handle option available for every size (sold separately).

Handle code:

37350AC12 - 3/8"

37350AD12 - 1/2" - 3/4" - 1"

37350AG12 - 1" 1/4 - 1" 1/2 - 2"

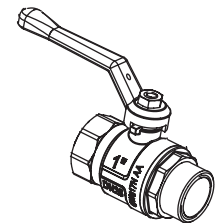
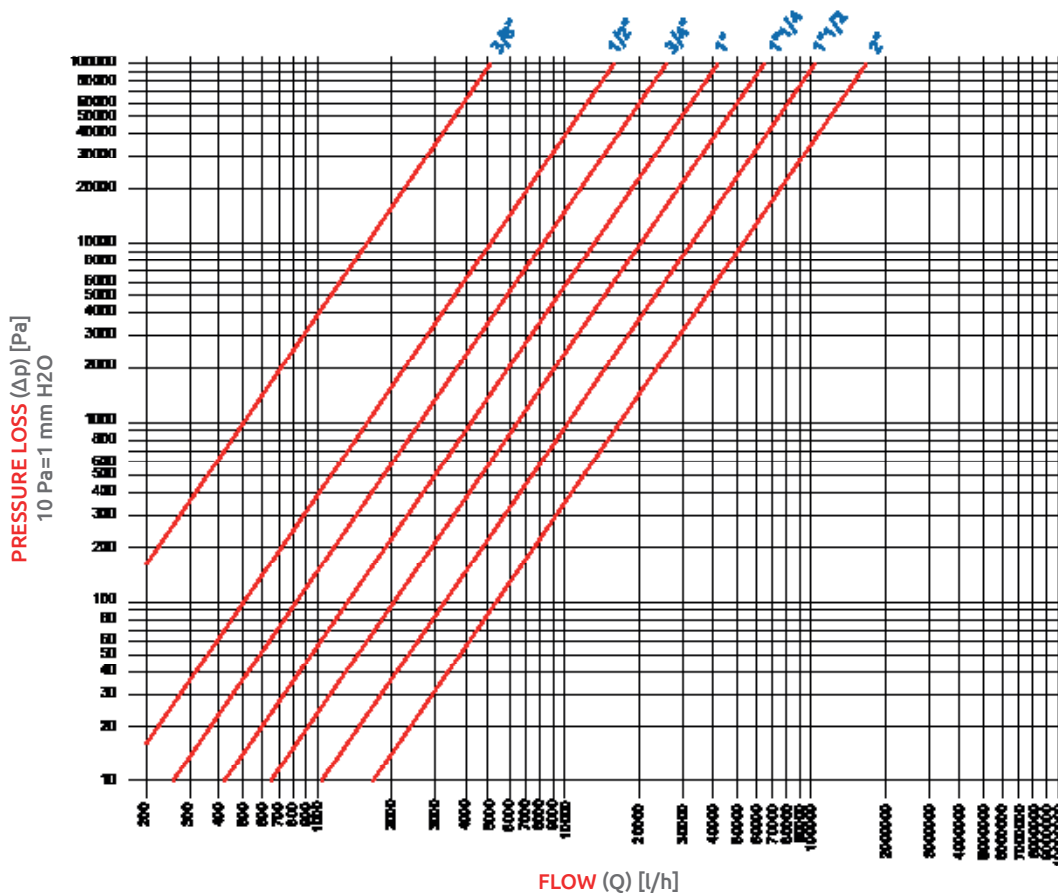
### Field of use

Min. operating temperature: -20°C with 50% glycol solutions  
 Max operating temperature: 150°C  
 Max operating pressure at 20°C

	3/8"	1/2"	3/4"	1"	1"1/4	1"1/2	2"
bar	50	50	40	40	30	30	25
psi	725	725	580	580	435	435	363

### Pressure loss at 20°C

Ball valve Art. 352  
 PRESSURE LOSS DIAGRAM



Size	Kv [m <sup>3</sup> /h]
3/8"	5,1
1/2"	15,5
3/4"	26,2
1"	41,4
1"1/4	63,6
1"1/2	101,2
2"	169,5