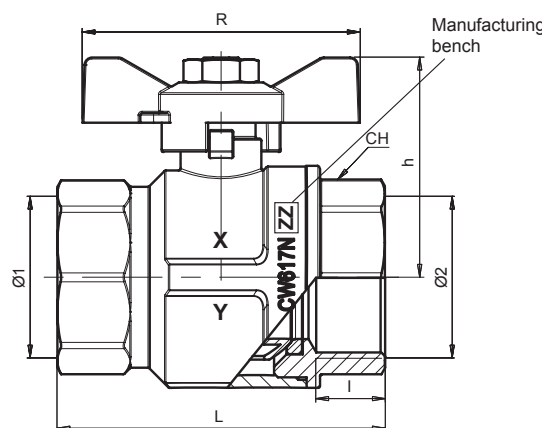
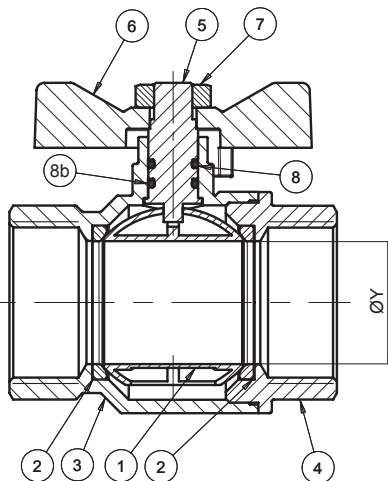
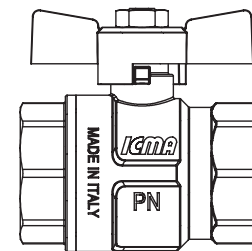


Function

Ball valve full bore, red coated alloy handle, F/F thread, double o-ring anti-explosion command rod.

Suitable for water in heating/cooling systems.



P.N.	DESCRIPTION	MATERIAL
1	SPHERE	CW617N - UNI EN 12165 - CHROME PLATED
2	SEAT GASKET	PTFE
3	BODY	CW617N - UNI EN 12165
4	SLEEVE	CW617N - UNI EN 12165
5	COMMAND ROD	CW617N - UNI EN 12165
6	HANDLE	RED COATED ALLOY
7	NUT	ZINC PLATED STEEL
8	O-RING	NBR
8b	O-RING	VITON

Dimensions

CODE	X		Y	ISO 228/1		L	I	R	CH	h
	SIZE	PN (bar)		DN	Ø 1 M					
87349AC11	3/8"	50	10	3/8"	3/8"	40	10	47	21	35
87349AD11	1/2"	50	15	1/2"	1/2"	51	12	54	25	39
87349AE11	3/4"	40	20	3/4"	3/4"	58	13	54	31	43
87349AF11	1"	30	25	1"	1"	70	15	64	38	47,5
87349AG11	1"1/4	25	32	1"1/4	1"1/4	85	18	72	47	57

Blue coated alloy handle option available for every size (sold separately).

Handle code:

01347AC12 - 3/8"

01347AD12 - 1/2" e 3/4"

01347AF12 - 1"

01347AG12 - 1" 1/4

Ball valve

349

ST.349.10.22.EN (NC938)

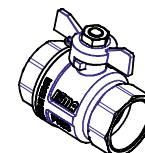
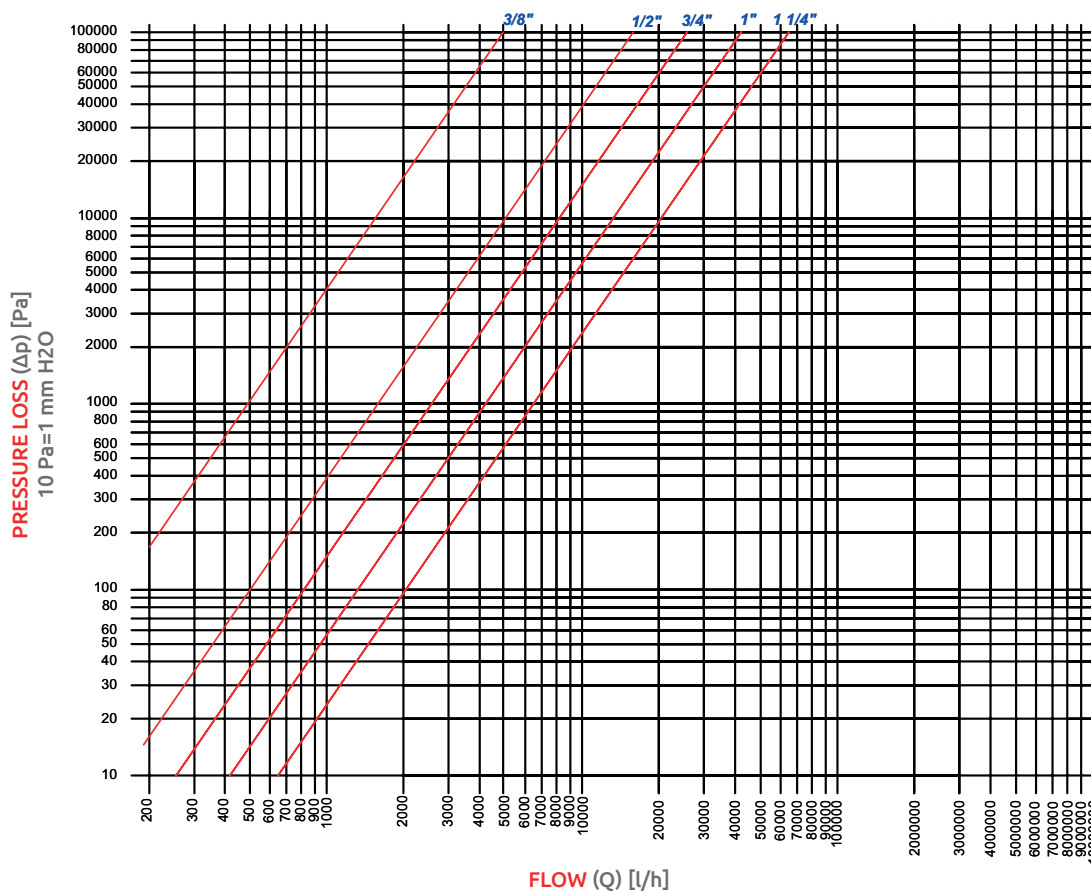
/ Field of use

Min operating temperature: -20°C with 50% glycol solutions
Max operating temperature: 150°C
Max operating pressure at 20°C

	3/8"	1/2"	3/4"	1"	1"1/4
bar	50	50	40	40	30
psi	725	725	580	580	435

/ Pressure loss at 20°C

Valvola a sfera Art. 349
PRESSURE LOSS DIAGRAM



Size	Kv [m ³ /h]
3/8"	5,1
1/2"	15,5
3/4"	26,2
1"	41,4
1"1/4	63,6